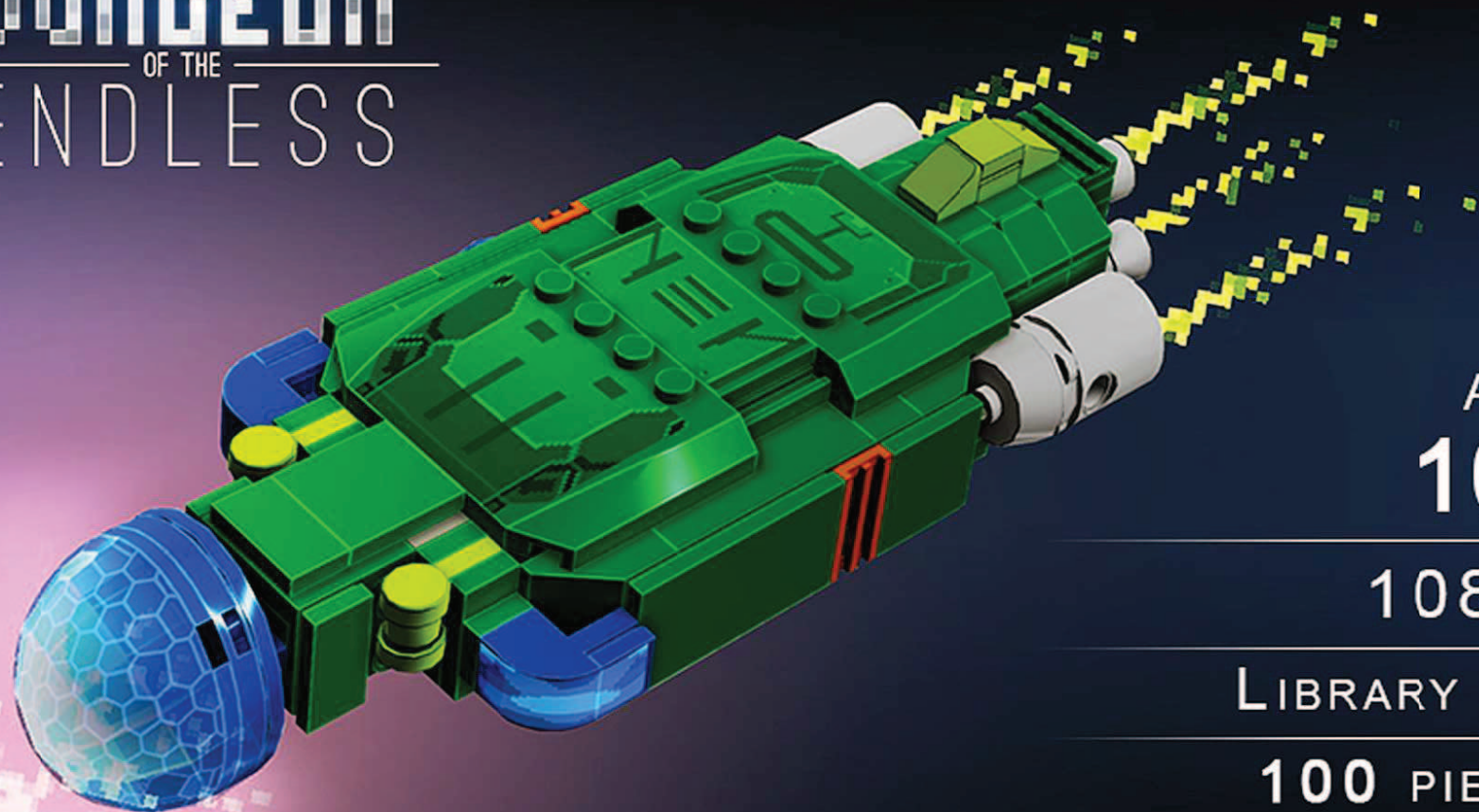




UNOFFICIAL
LEGO PRODUCT

DUNGEON OF THE ENDLESS



AGES

10+

10810

LIBRARY POD

100 PIECES

BUILDING TOY



Created by RENDERSTORM for Amplitude Studios

Step 1 of 49

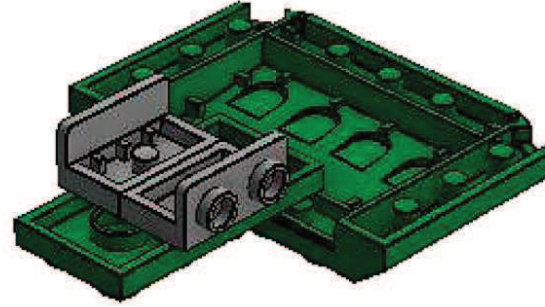
1 x



2 x



1 x

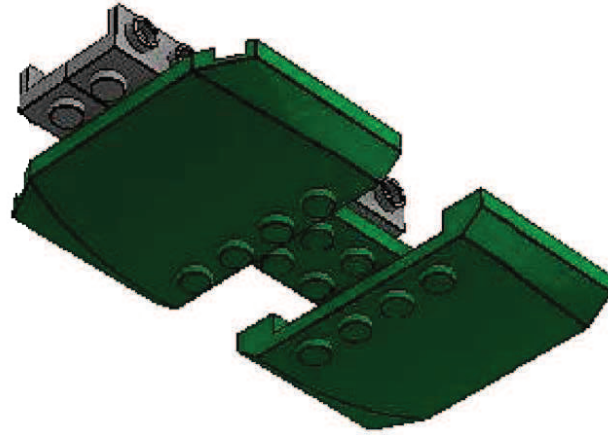


Step 2 of 49

2 x



1 x



Step 3 of 49

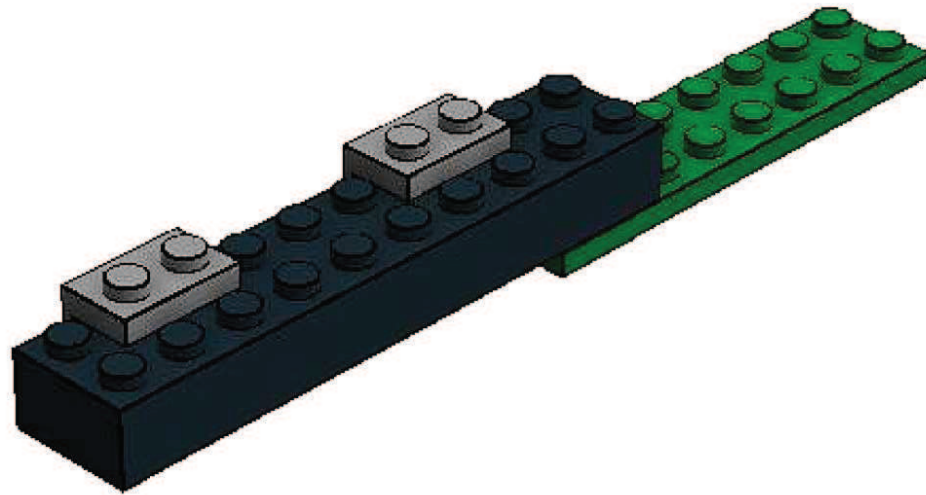
1 x

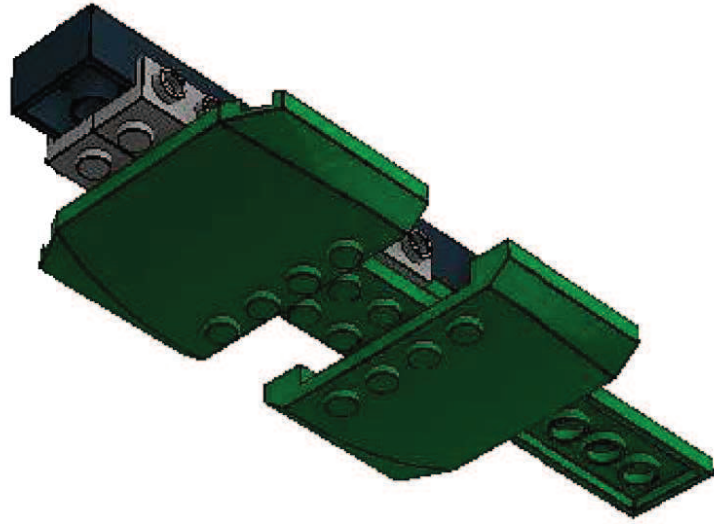


1 x



2 x





Step 5 of 49

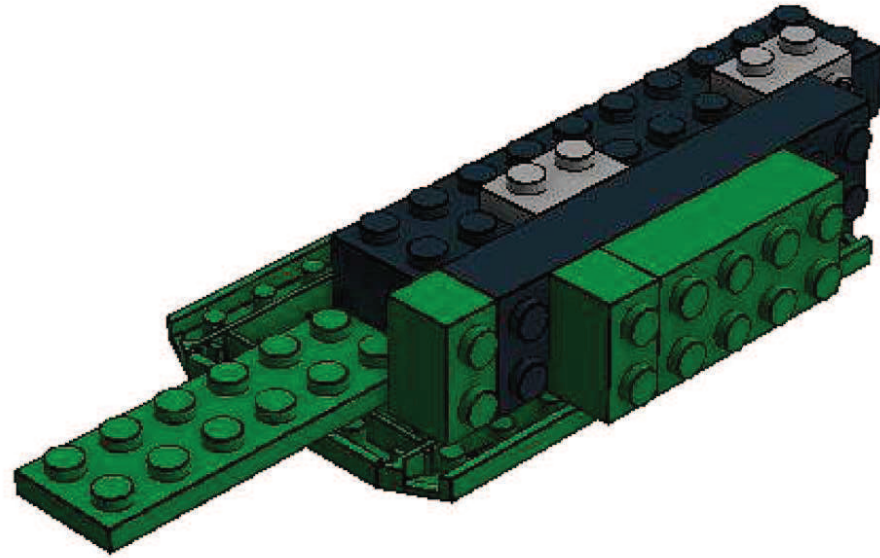
2 x



1 x



1 x



Step 6 of 49

1 x



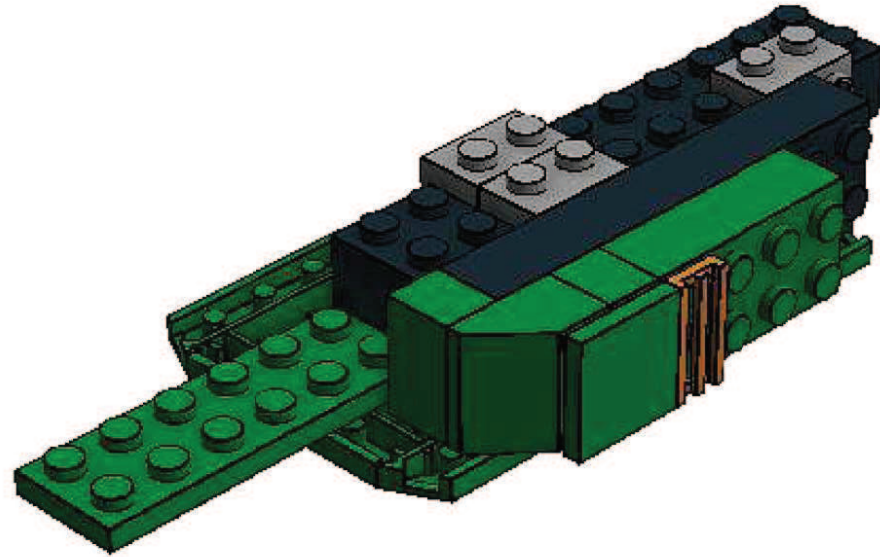
1 x



1 x



1 x



Step 7 of 49

1 x



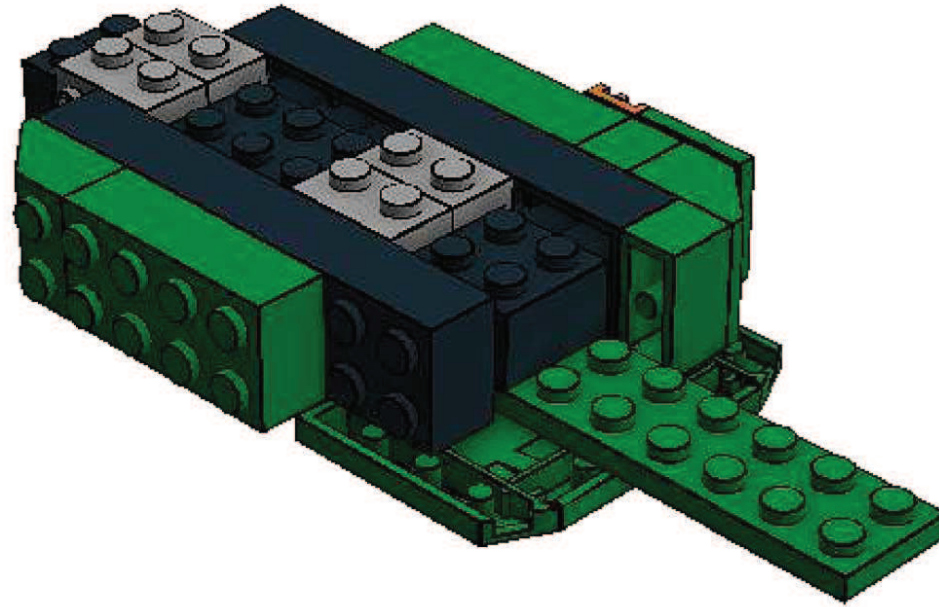
1 x



1 x



1 x



Step 8 of 49

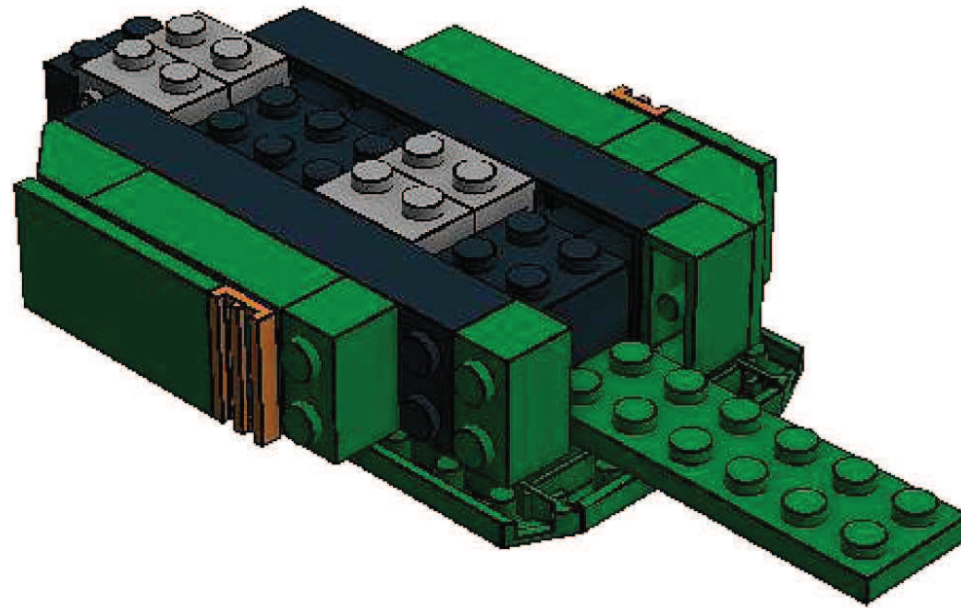
2 x



1 x



1 x



Step 9 of 49

1 x



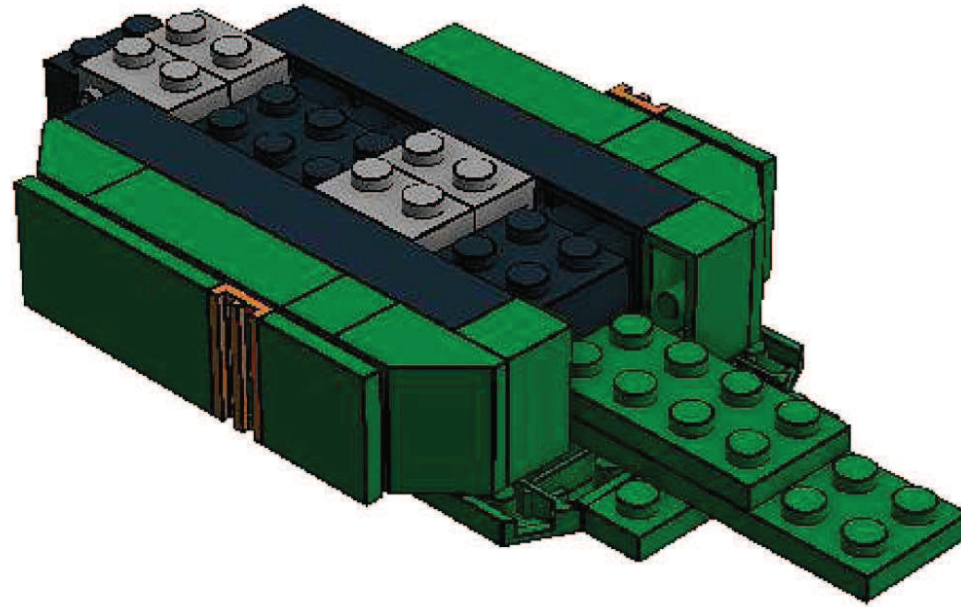
1 x



1 x



1 x



Step 10 of 49

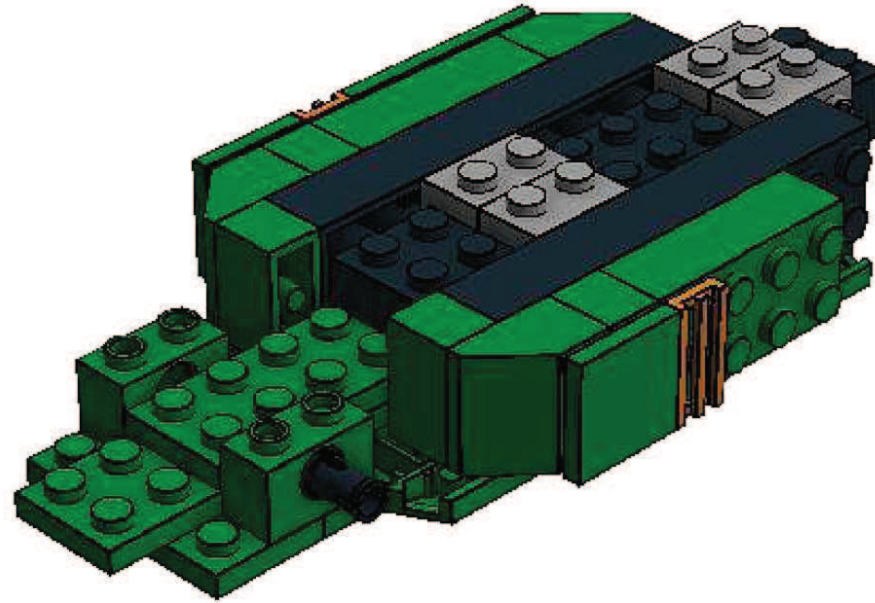
2 x



1 x



1 x

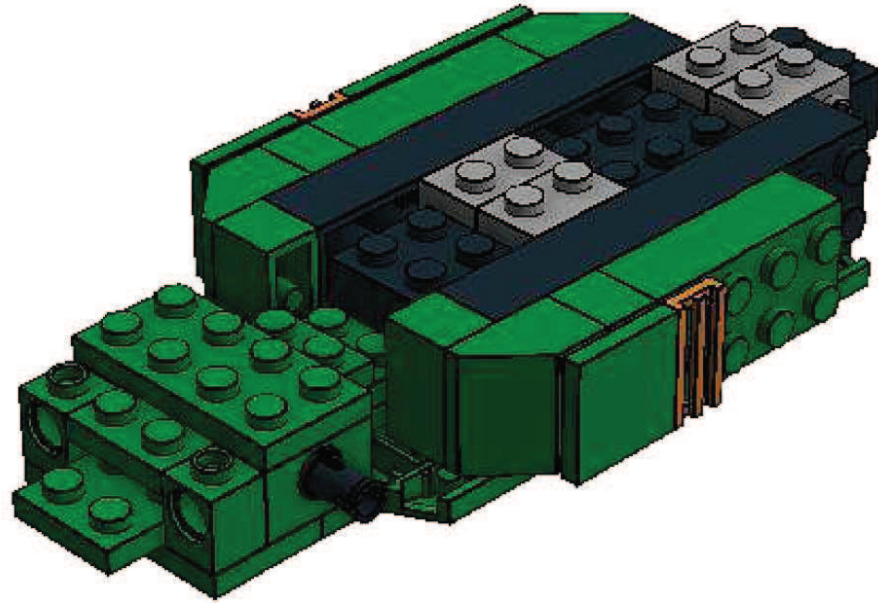


Step 11 of 49

2 x



2 x



Step 12 of 49

1 x



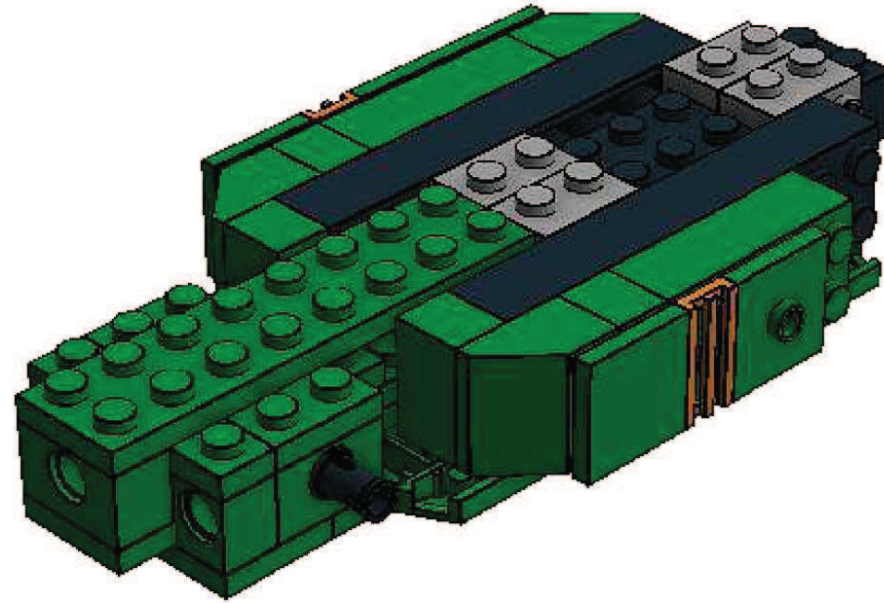
1 x



1 x



1 x



Step 13 of 49

1 x



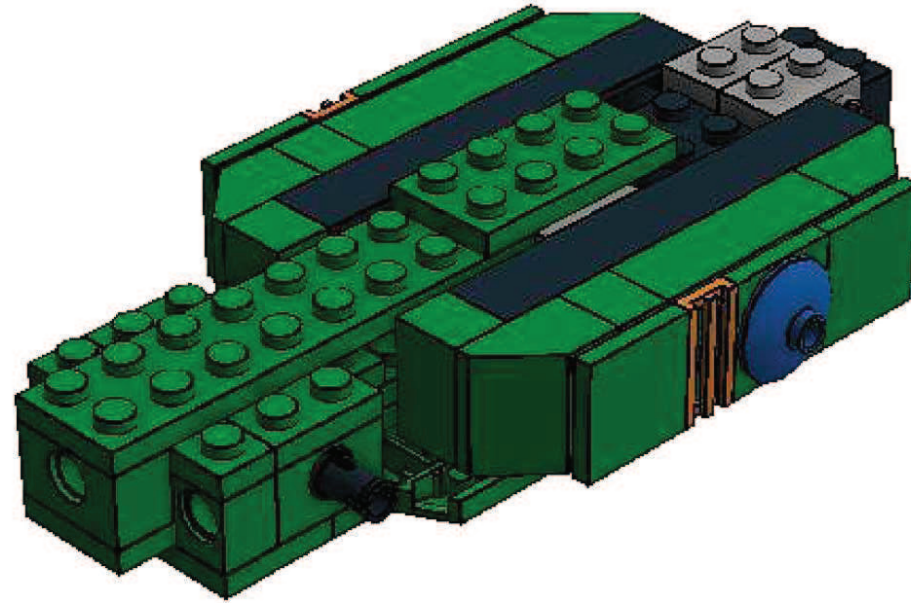
1 x



1 x

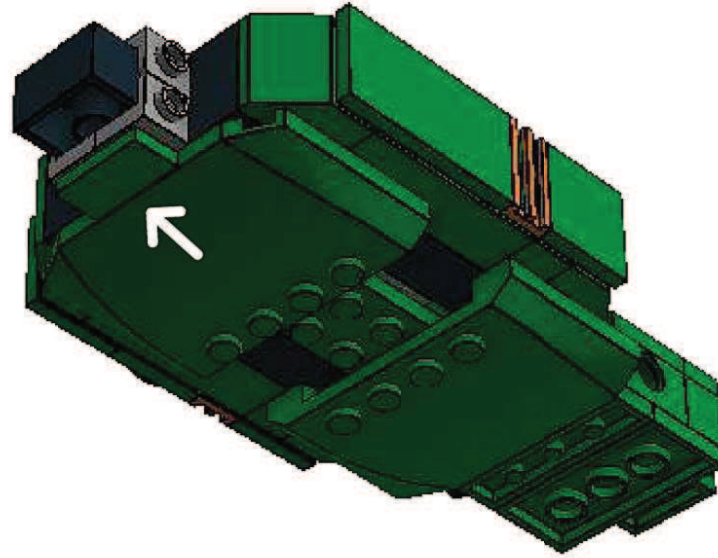


1 x



Step 14 of 49

1 x



Step 15 of 49

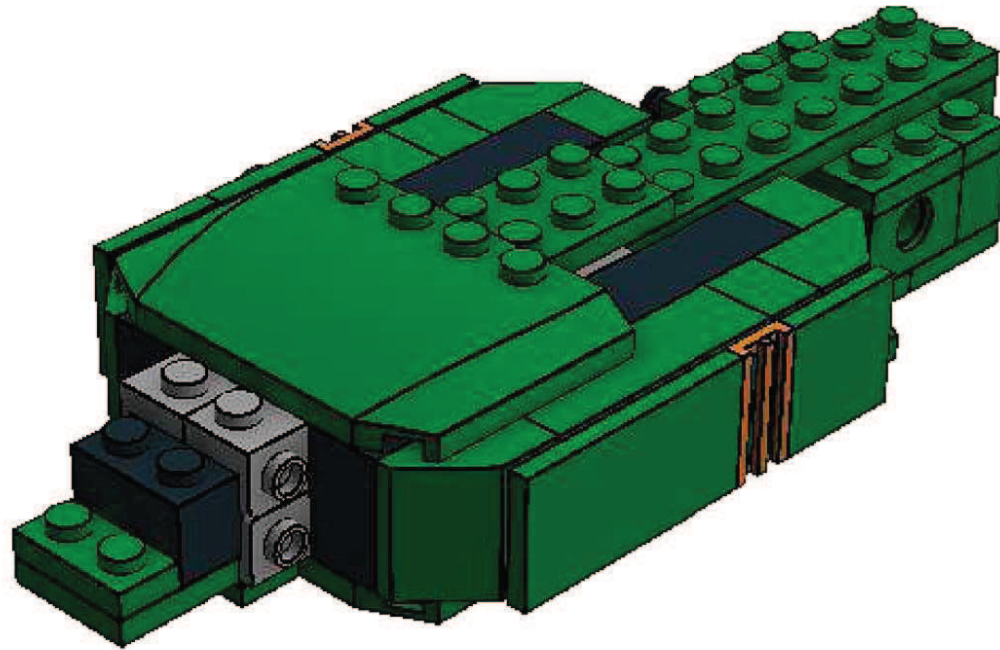
1 x



1 x



1 x



Step 16 of 49

1 x

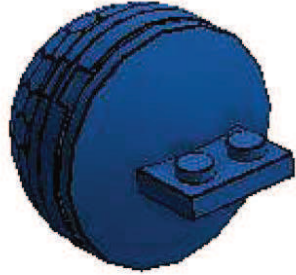


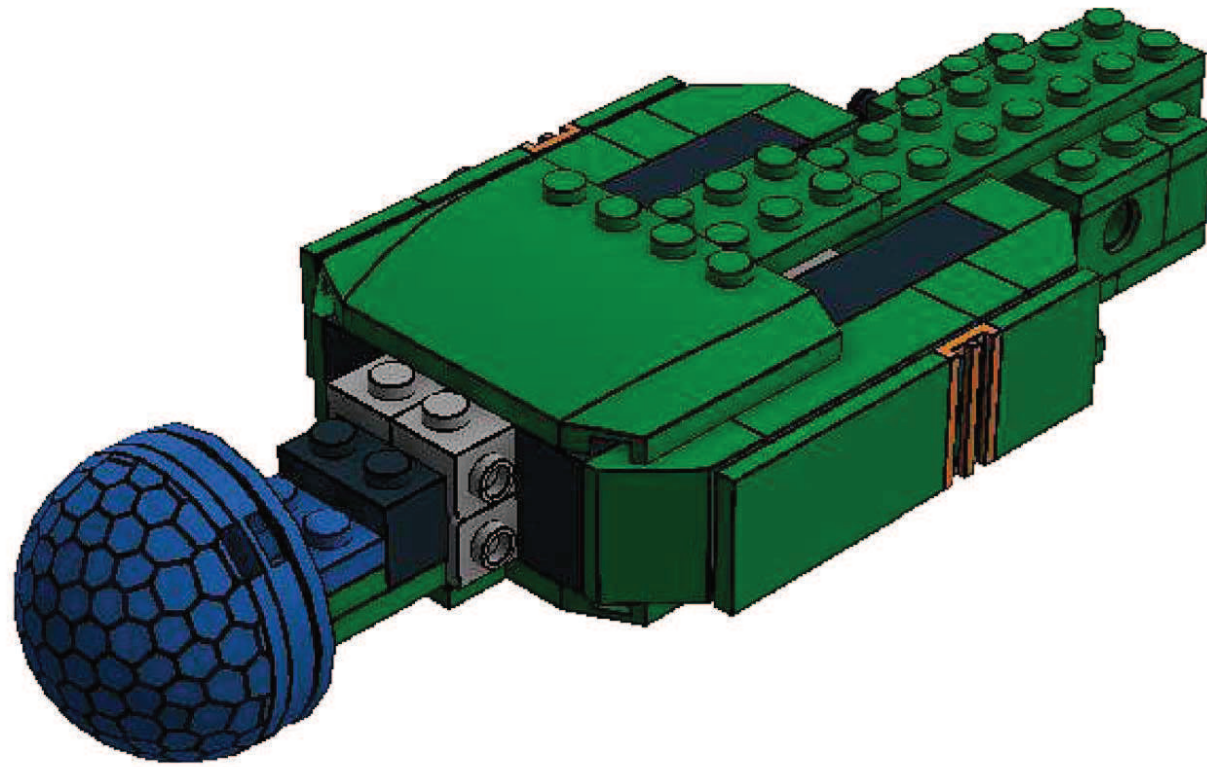
1 x



Step 17 of 49

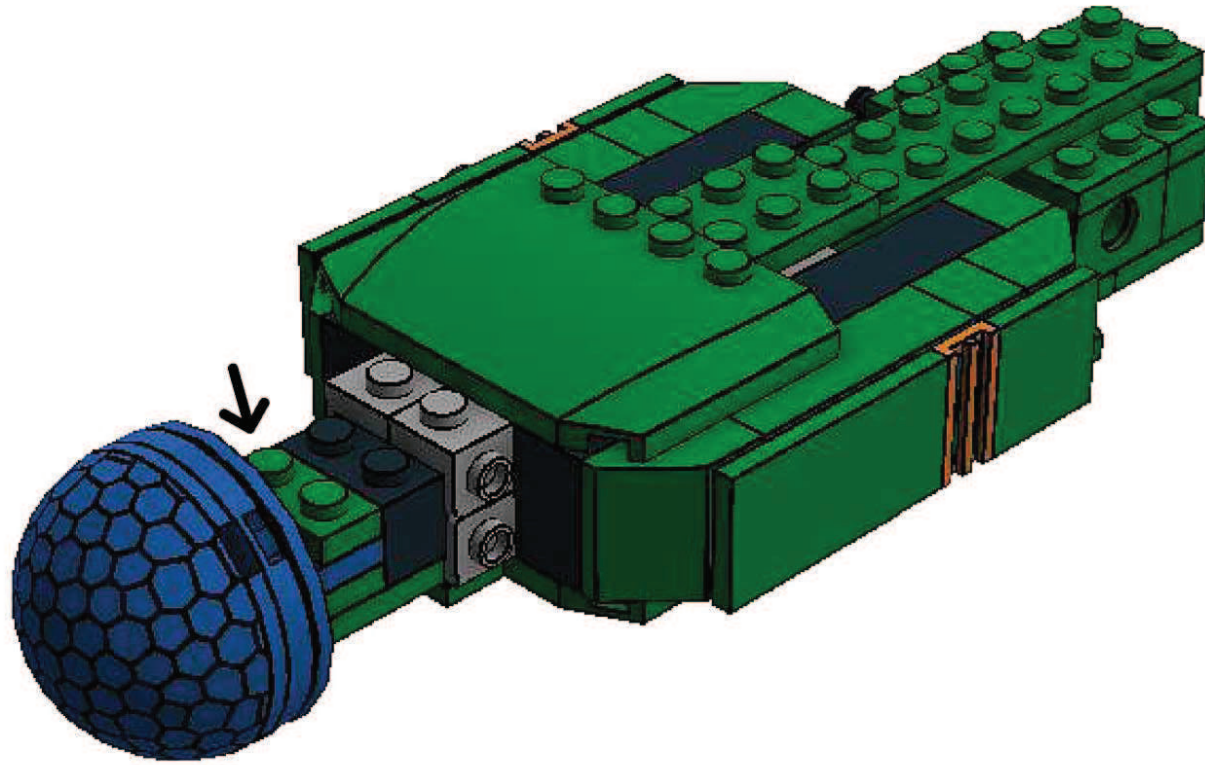
1 x





Step 19 of 49

1 x

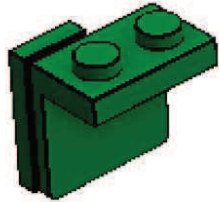


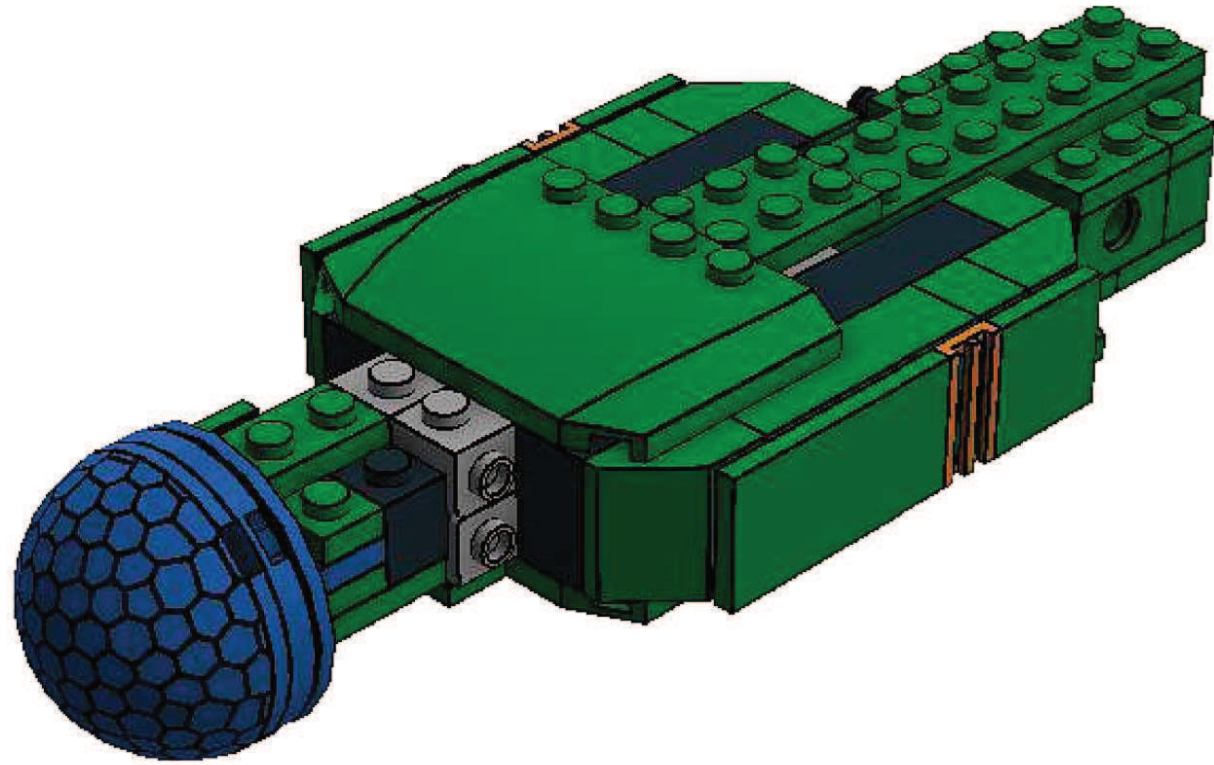
Step 20 of 49

1 x



1 x



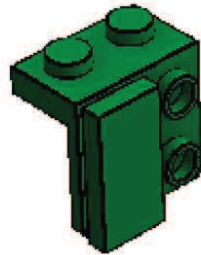


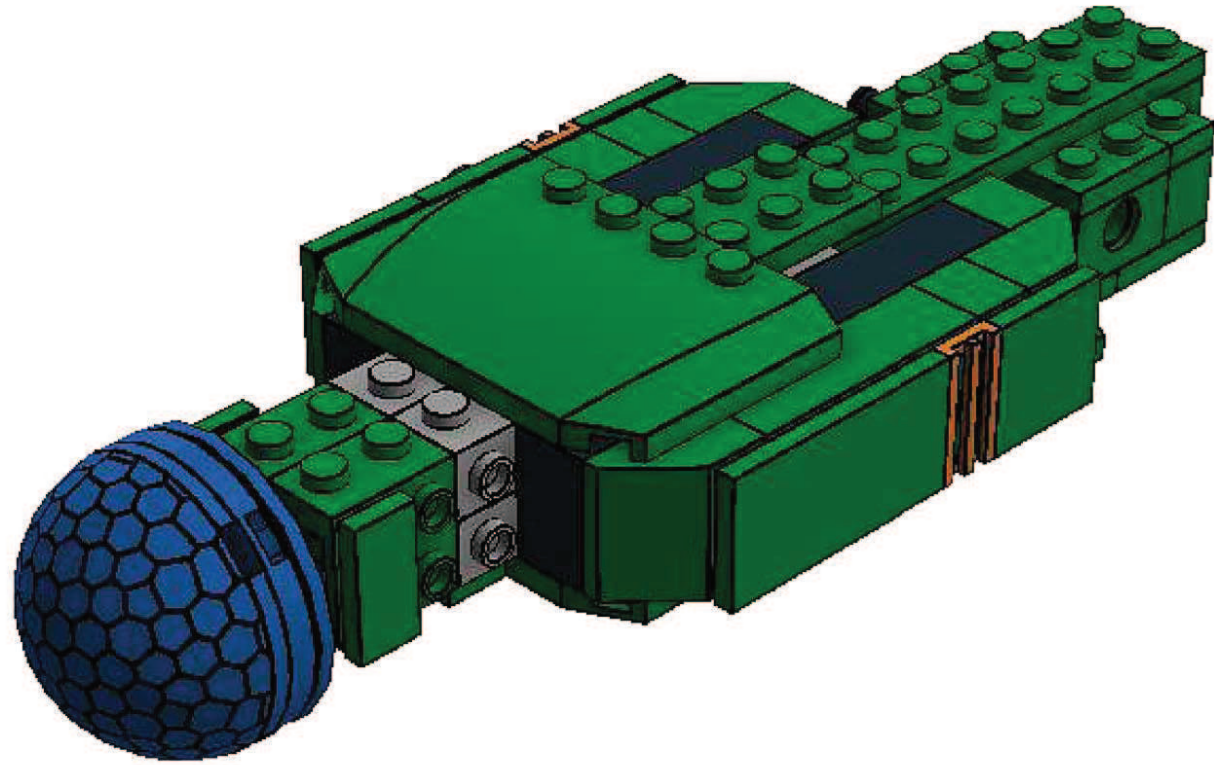
Step 22 of 49

1 x



1 x





Step 24 of 49

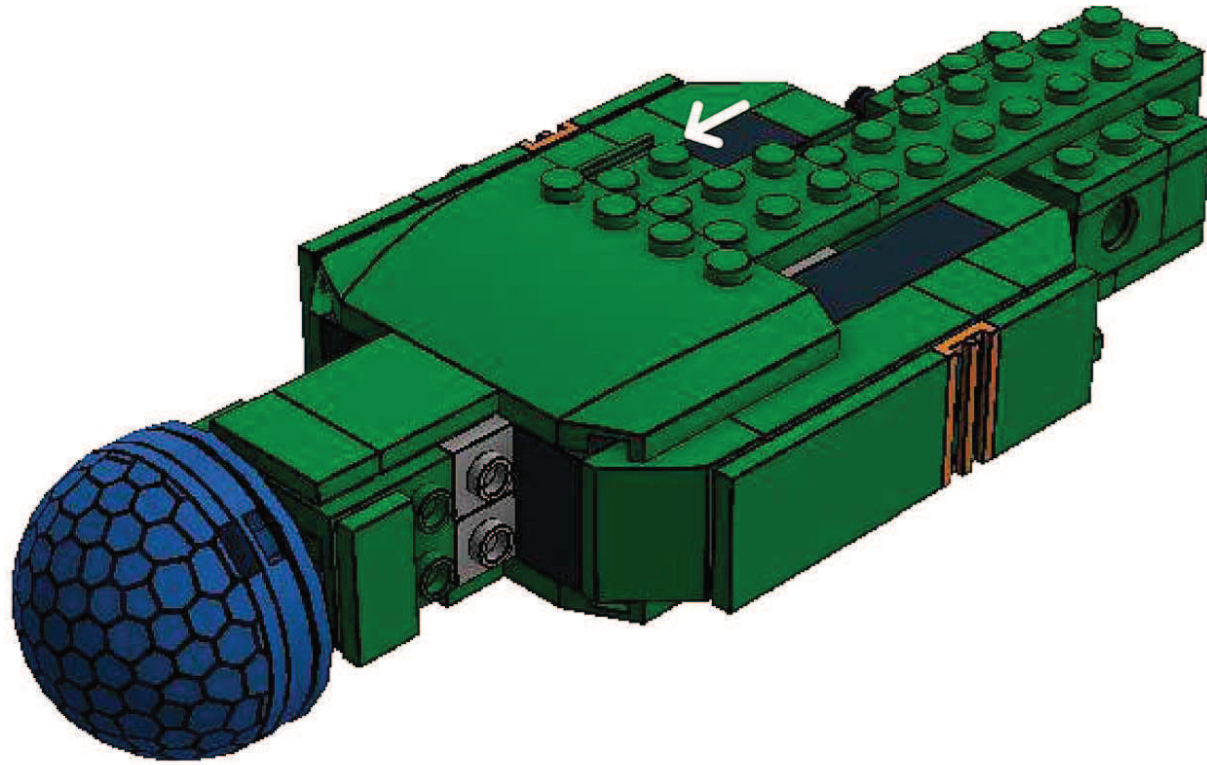
1 x



1 x



1 x



Step 25 of 49

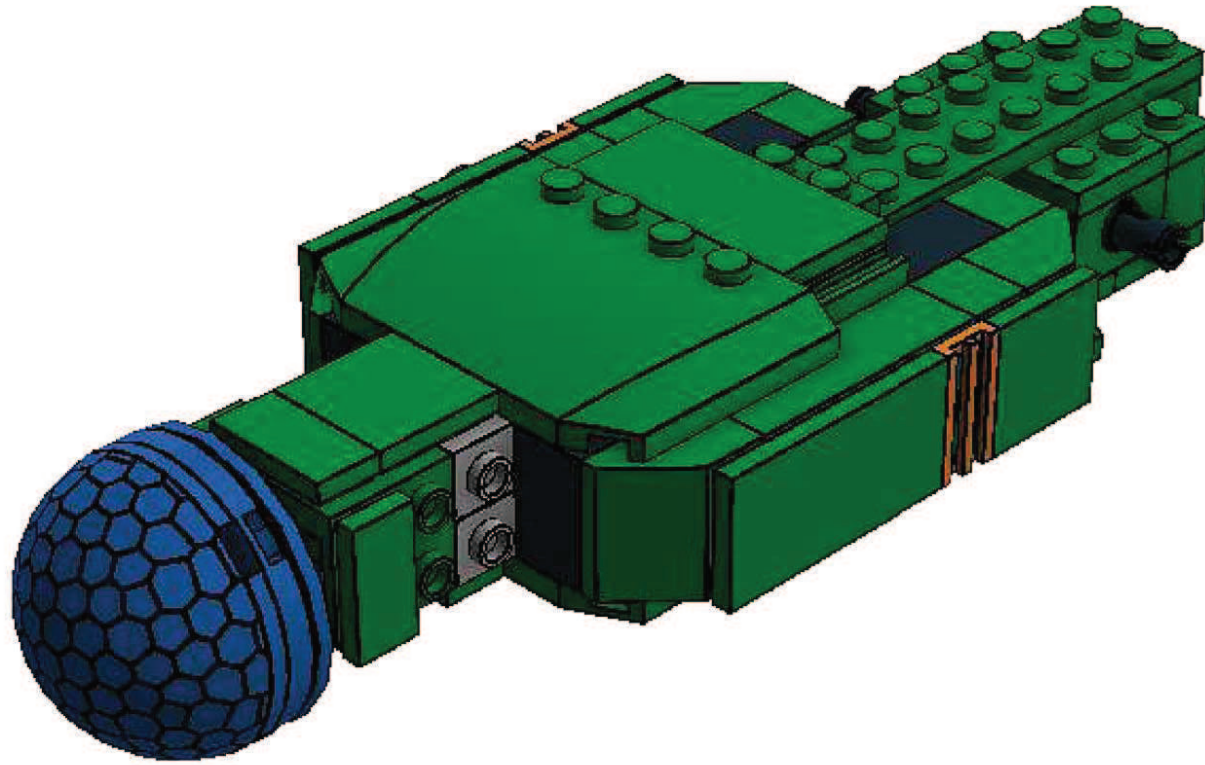
1 x



1 x



1 x



Step 26 of 49

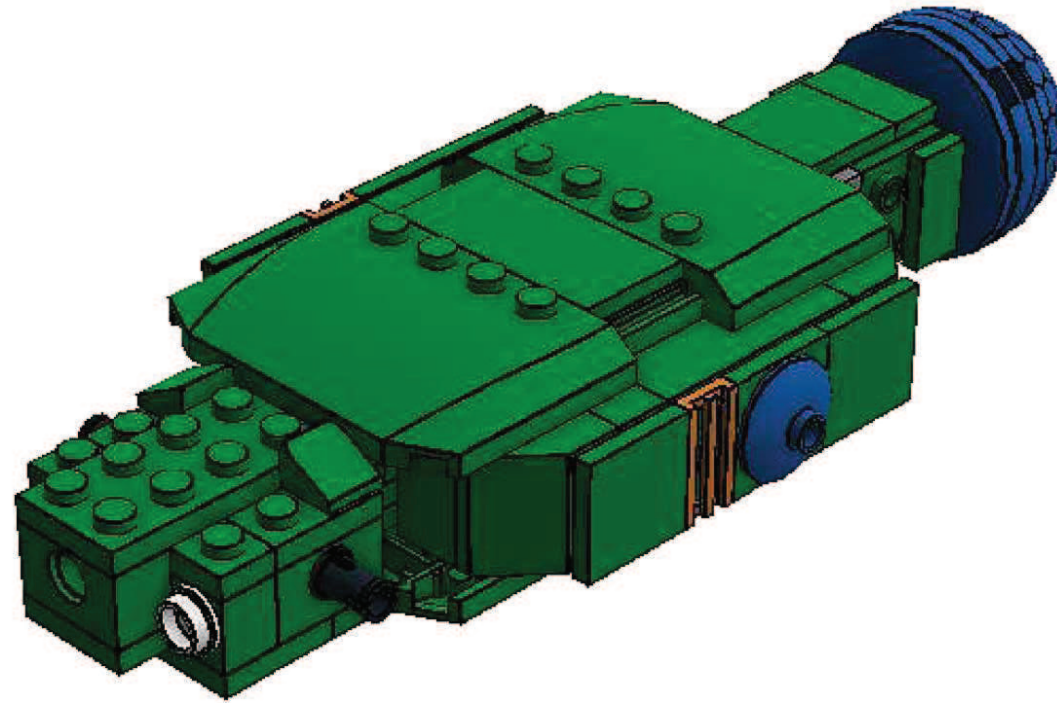
2 x



1 x



1 x



Step 27 of 49

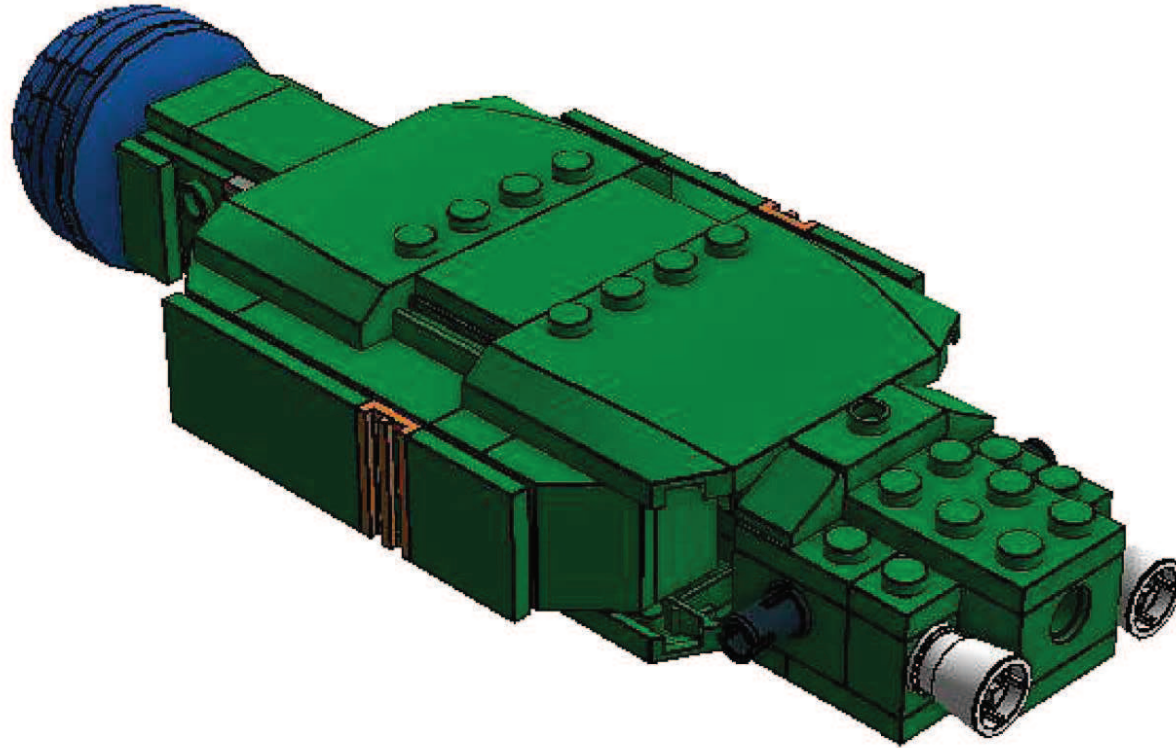
1 x



1 x



2 x



Step 28 of 49

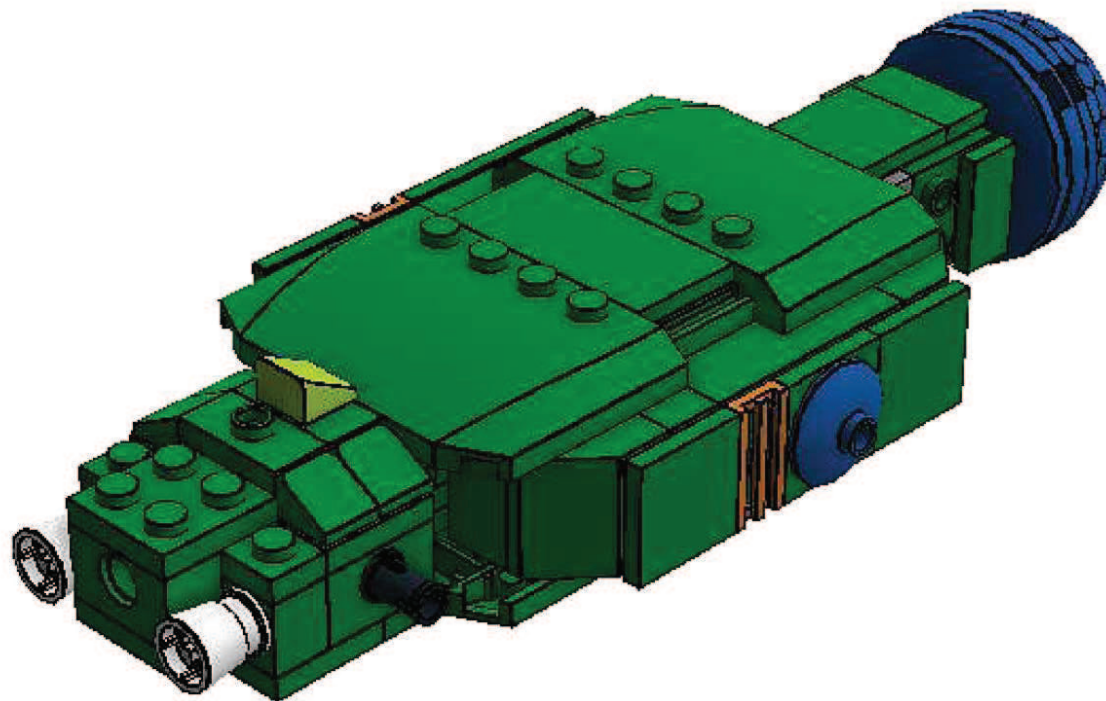
2 x



1 x



1 x



Step 29 of 49

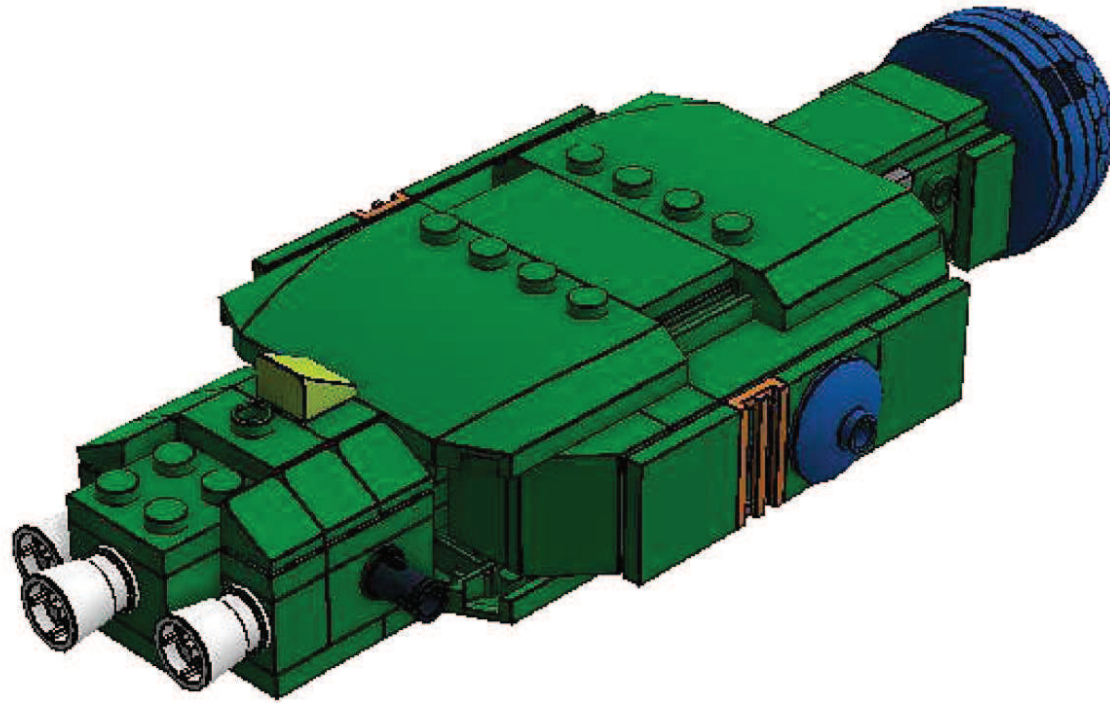
2 x



1 x



1 x

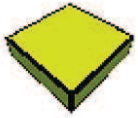


Step 30 of 49

1 x



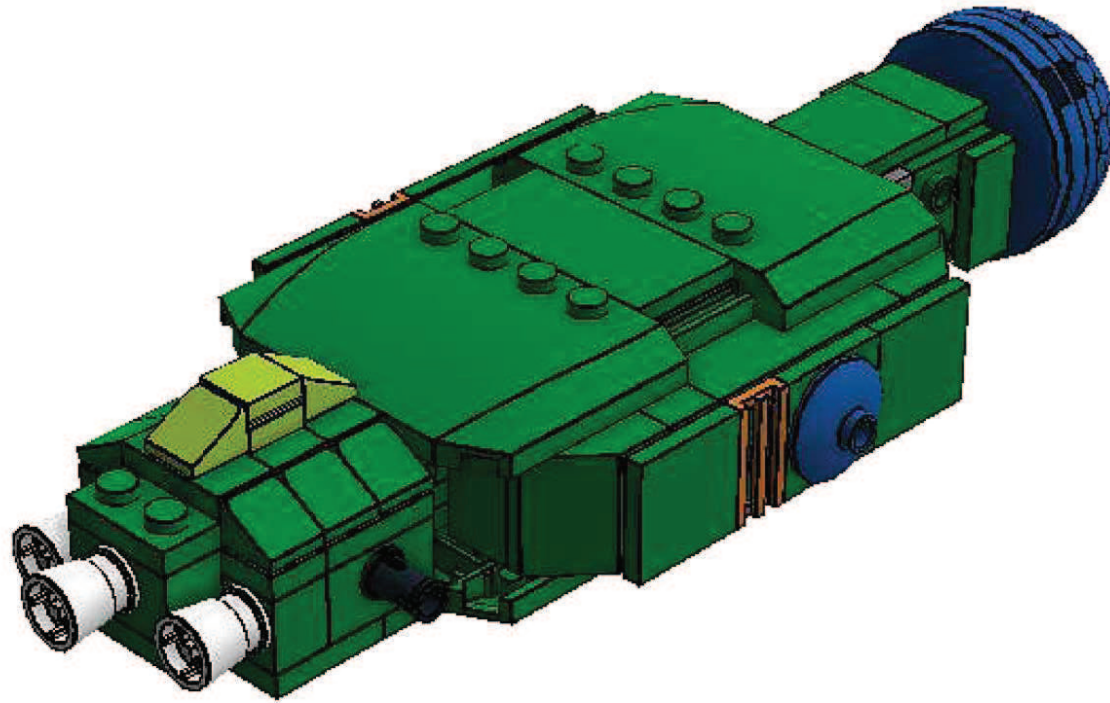
1 x



1 x

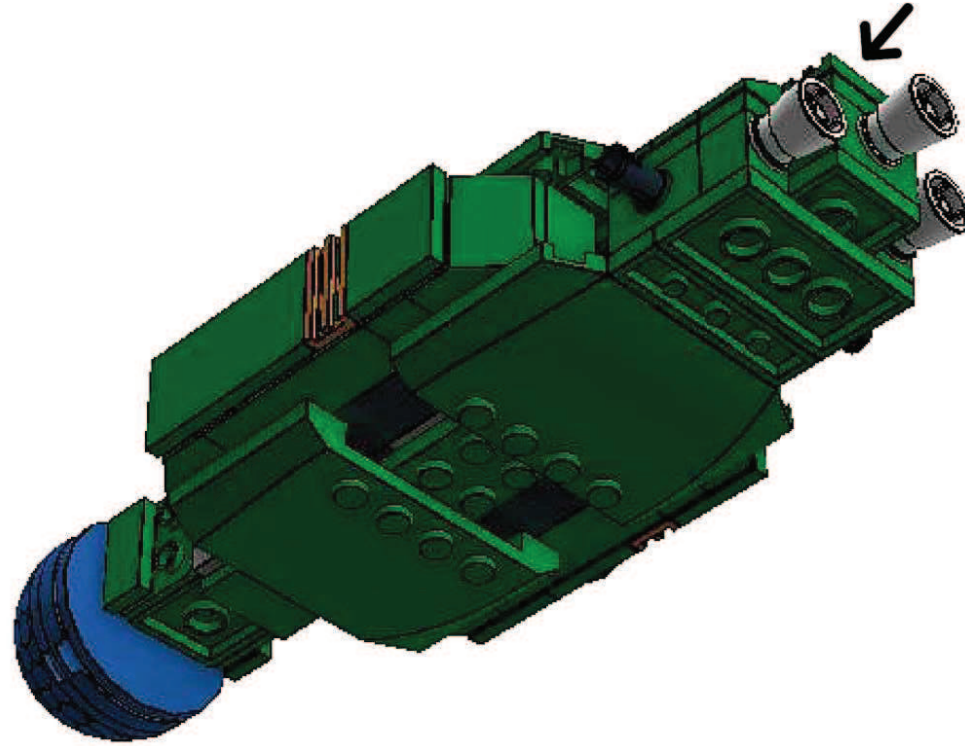


1 x



Step 31 of 49

1 x



Step 32 of 49

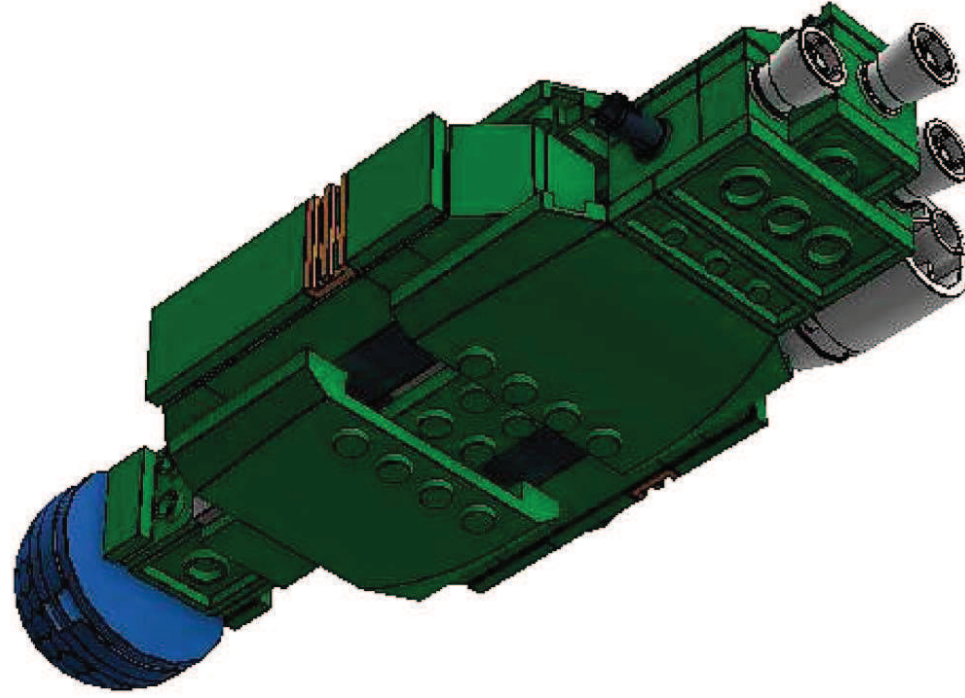
1 x



1 x



Step 33 of 49



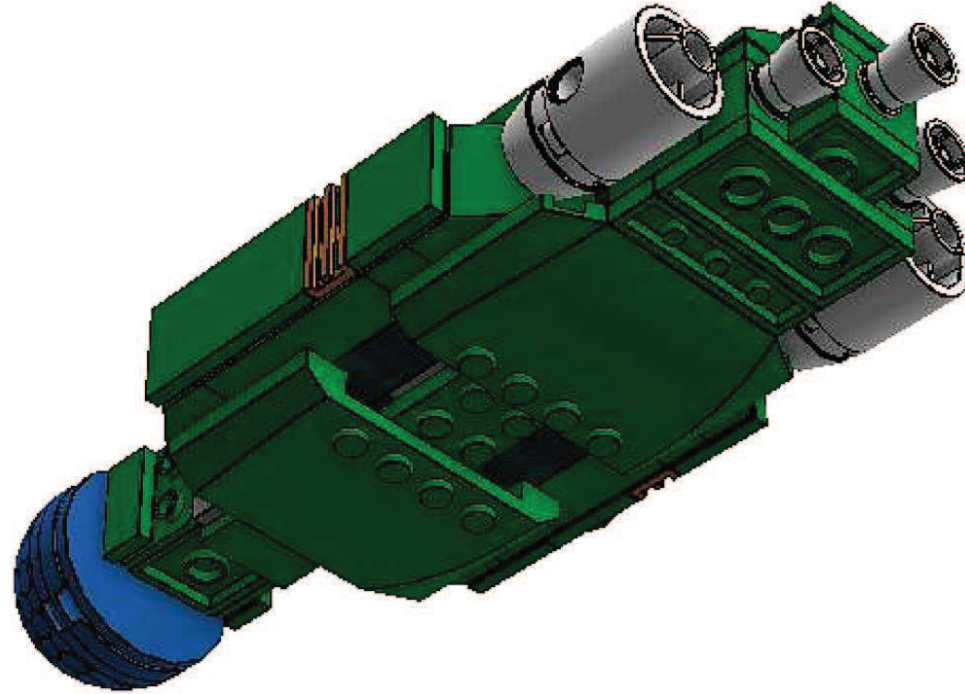
Step 34 of 49

1 x



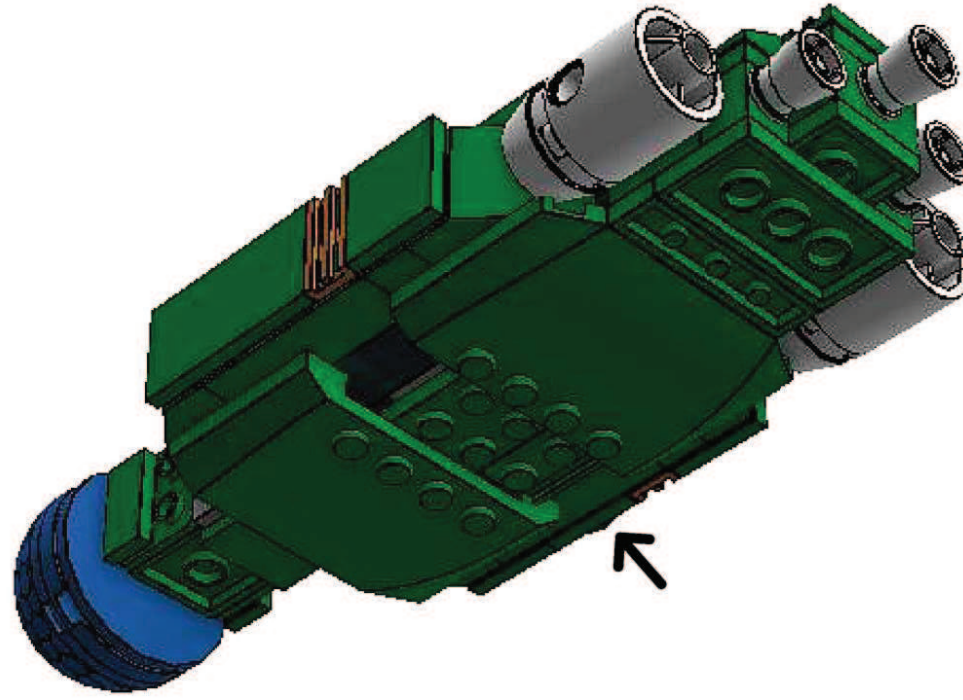
1 x





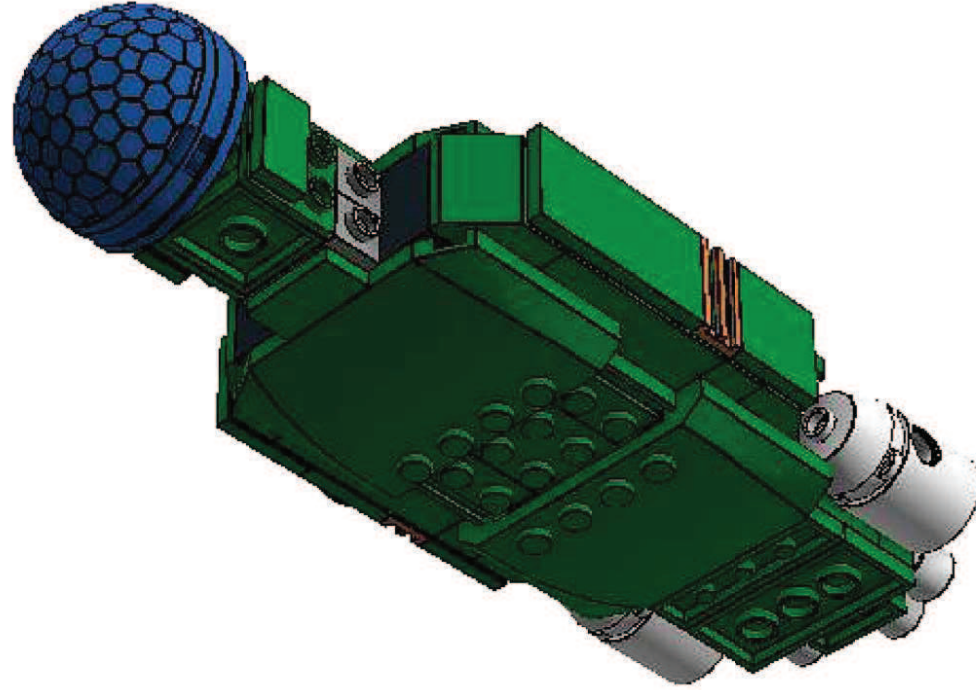
Step 36 of 49

1 x



Step 37 of 49

1 x

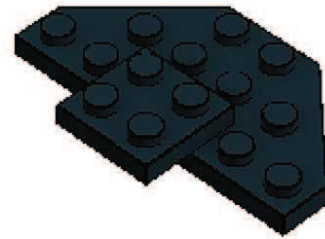


Step 38 of 49

1 x



1 x



Step 39 of 49

1 x



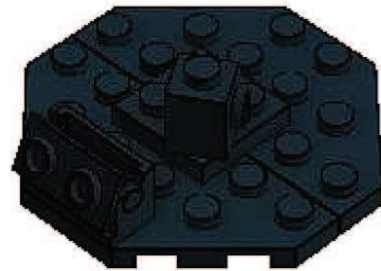
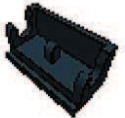
1 x



1 x



1 x



Step 40 of 49

1 x



1 x



1 x



1 x





Step 42 of 49

1 x



Step 43 of 49

2 x



1 x



1 x

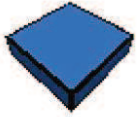


Step 44 of 49

1 x



1 x



2 x



Step 45 of 49



Step 46 of 49

1 x



Step 47 of 49

2 x



1 x



1 x



Step 48 of 49

1 x



1 x



2 x

